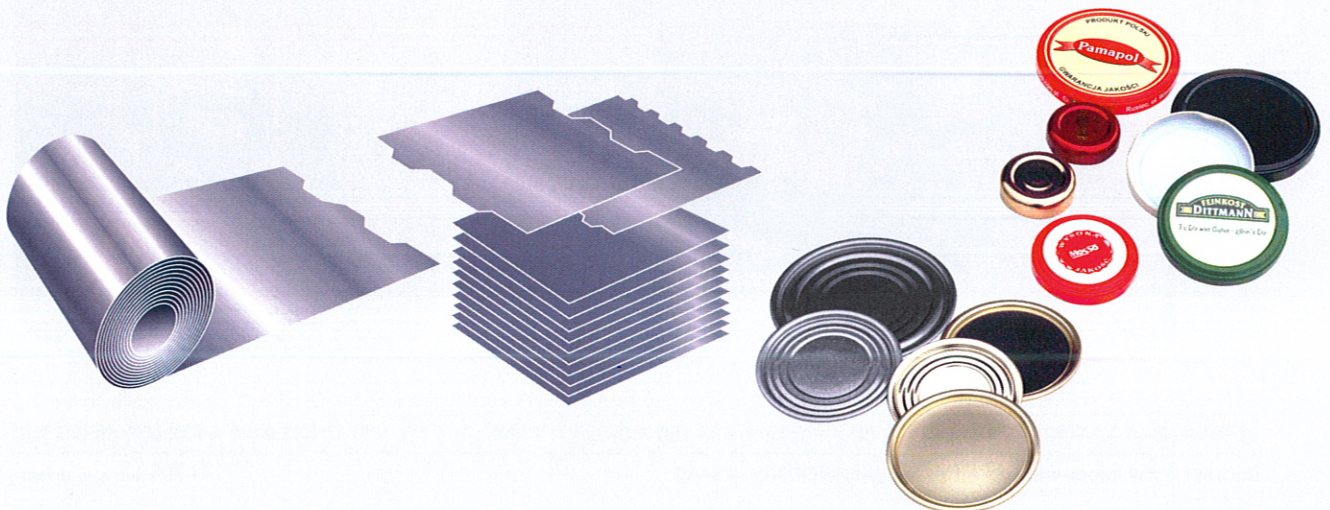
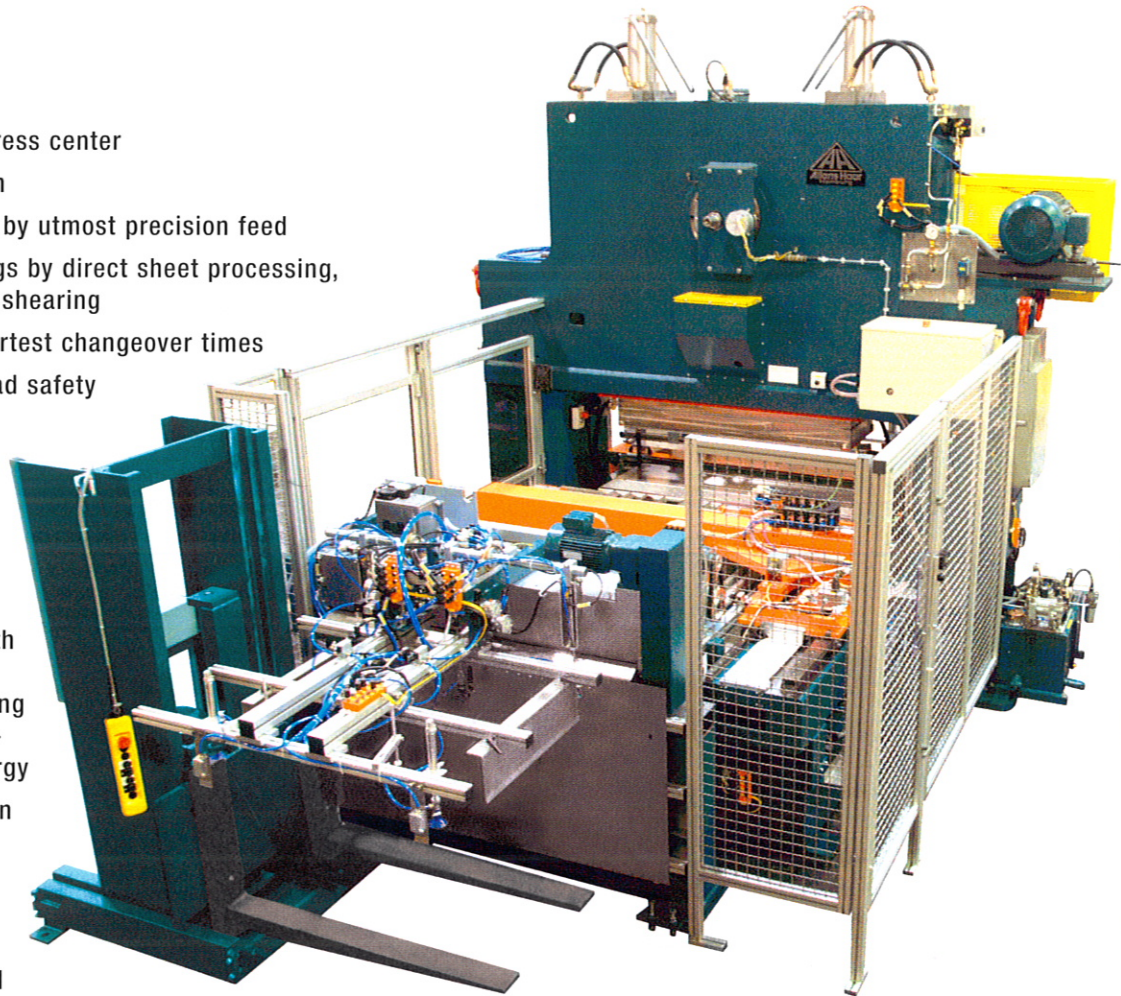


CNC-CF/DF-P40S COIL/SHEET FEED PRESS



- Highly flexible press center
- 100% automation
- Material savings by utmost precision feed
- Manpower savings by direct sheet processing, eliminating strip shearing
- Flexibility by shortest changeover times
- Hydraulic overload safety device
- Crankshaft roller bearings
- Preloaded, playfree roller ram guidance
- AC-maindrive with static frequency converter including recuperation of fly-wheel brake energy
- Main motor driven slowmotion for the ram
- Die alignment system with electronic control



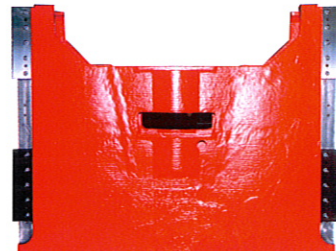
CNC-CF/DF-P40S COIL/SHEET FEED PRESS



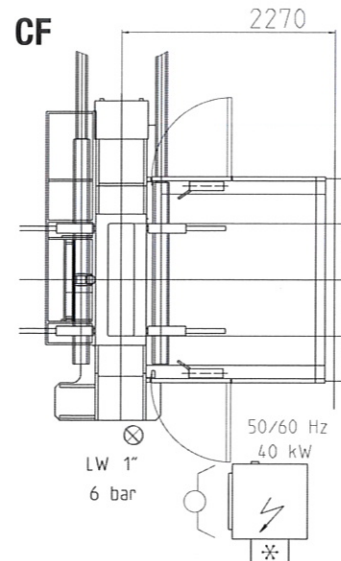
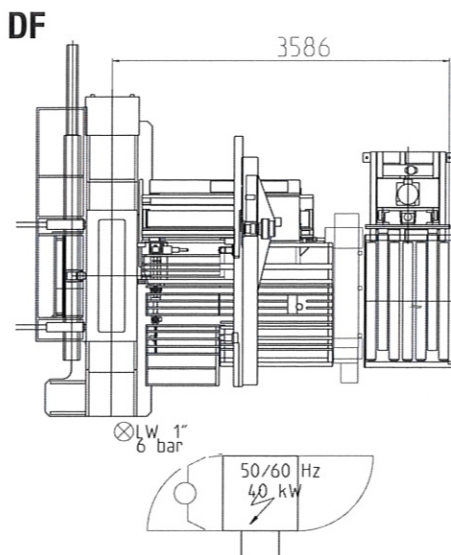
TECHNICAL DATA

CAPACITY: 40t optional 50t
STROKE LENGTH: 120 mm
SPEED MAX: 250 spm
TOOLING: max. 16-out
DRIVING POWER: 15 kW
DRIVE: DIRECT
CUT EDGE DIAMETER: 250
DRAW DEPTH: 25 mm, 9,8425 inch
SHEET SIZE: 1150 x 1000 mm
 45 x 39 inch
COIL WIDTH: 1200 mm

- Material**
- Scrolled and unscrolled sheets 0,1 - 0,5 mm/.004"-.02"
 - coil
 - Aluminum
 - Tinplate
 - DR-TFS
- Output**
- Ends/Shells up to 4000 epm
- Changeover Time**
- < 1 hour incl. tool change



16 roller rotary elements
hydraulic overload safety
device with combined ram
adjustment



Reliable & Service friendly by uncompromising use of up-to-date-components in modular design.

